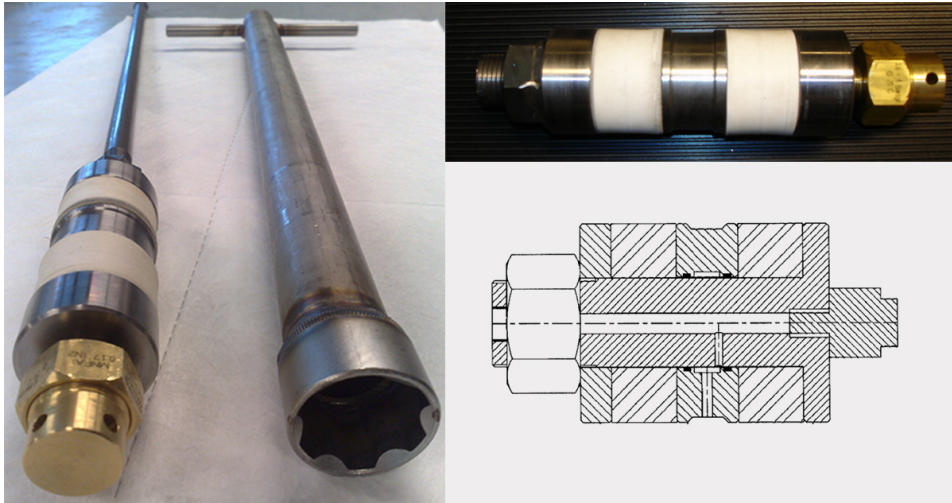




In-line Abandonment Plug



Introduction

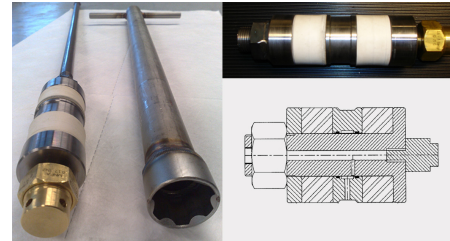
Product: IN-LINE ABANDONMENT PLUG
Pipe Schedule: VARIOUS
Size Range: ½" through 24" (Larger sizes on request)

IK's In-line Abandonment Plugs are recommended for DBB weld isolation applications. In-line Abandonment Plugs are often requested when modifications are required on discontinued lines. The tool provides a double block & bleed barrier with a by-pass facility to ensure for safe operations.

The In-line abandonment plug allows for a safe isolation barrier during pre/post heating and welding when modifications are required on open hydrocarbon process lines, predominantly used in conjunction with end-capping operations.



In-line Abandonment Plug



Product specification

General Function and Application

- Available for horizontal and vertical applications
- High temperature seals/materials are used as to the nature of the operation or as requested
- Vice-jaws may be included into the design for higher pressures.
- Standard verification test pressure of up to 230 bar (depending on size) with higher test pressures available on request.
- Manually energised, mechanically
- Larger by-pass facility available on request
- Instructions and hydrostatic test certificates supplied

Contact for this product is:

Peter Bjørnsen: Field Service Manager - IK Norway
T: +47 51 44 32 09

